



commercialimages
evolve your working environment



fuel™ powerboxes are designed to give users easy access to concealed power and data outlets from an unobtrusive worktop location.

fuel™ is available in four models to suit different work environments from folding tables and workstations up to larger conference and meeting tables and is designed to work with the widest range of third party power and data soft-wiring systems available.

Cover photo: fuel™ 91 (robot optional)



fuel™ 95



fuel™ 90



fuel™ 98



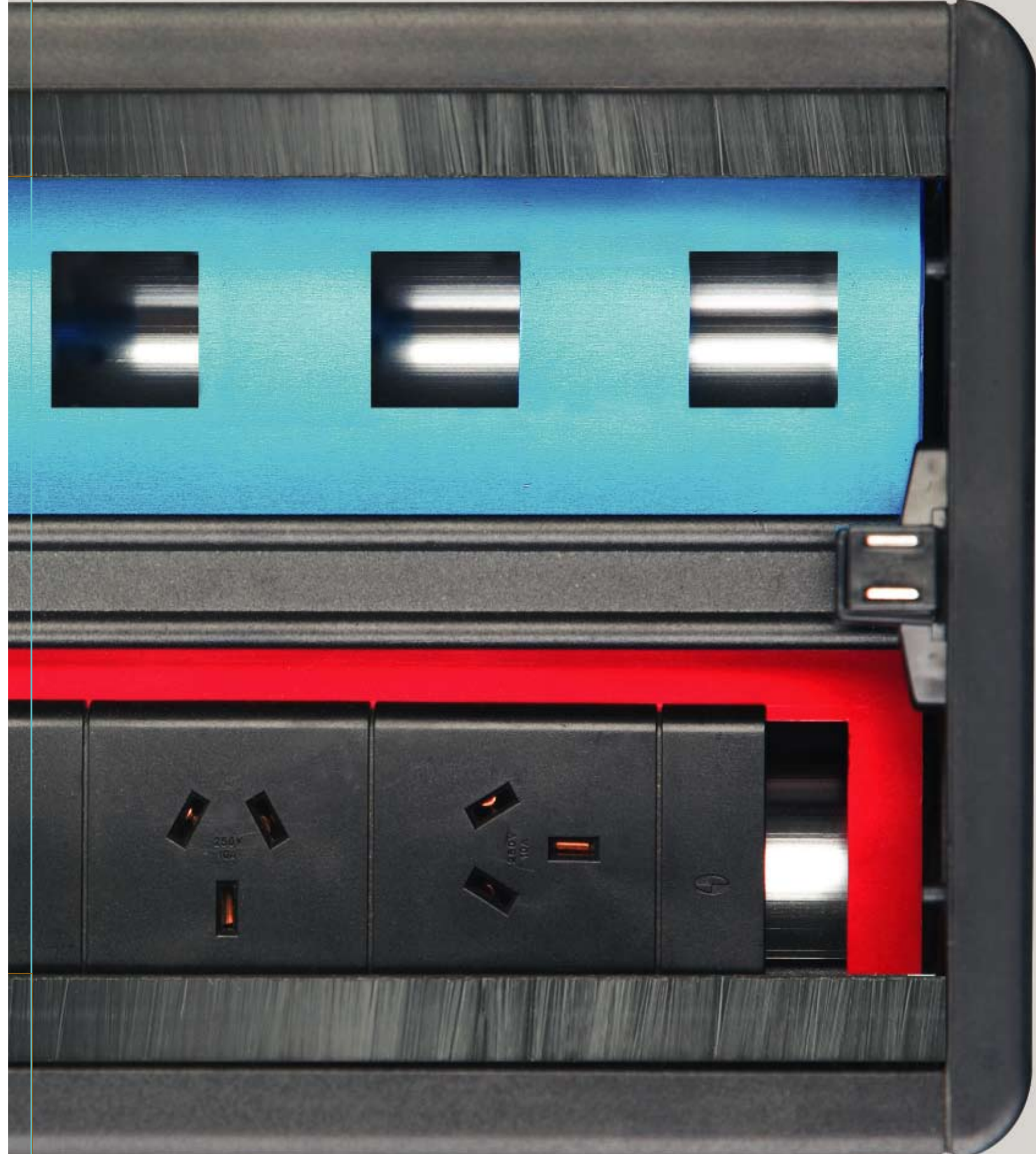
PRESS

1 inch (25.4mm)
square cutouts
for data point
installation.



4 outlet GPO
supplied as
standard with
all models







standard 4 outlet GPO



easy access anodized aluminium lid for power/data cables



removable end caps and floor allow for the removal and changing of power/data plates



adjustable mounting plates to suit different worktop thicknesses

The aesthetic of the fuel™ powerbox is simple and elegant with clean lines making it both visually appealing and physically sturdy. There are four fuel™ models to suit the widest possible range of user requirements and work environments.

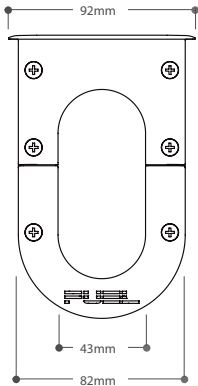
fuel™ comes supplied with a 4 outlet GPO and data mounting plate which can be used for standard Cat5 or Cat6 data outlets. There are further options available for phone and/or AV outlets.

Power and data mounting plates can be repositioned within the box depending on how much space is required above or below the plate. Plates can be

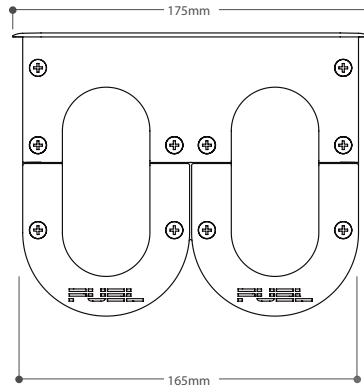
positioned low to allow for larger power transformers or high to address cable bending restrictions. Removable end caps mean that these plates can be swapped or repositioned even after fuel™ has been installed. A removable floor provides for access from underneath if required.

Installation is straight forward and allows for standard woodworking tolerances on the cutout profile. Once placed in the worktop, mounting brackets can be adjusted without tools to secure fuel™ in a wide range of worktop thicknesses ranging from 12mm to 50mm.

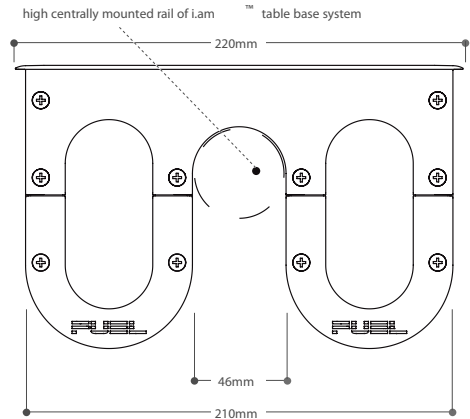
fuel™ 90 / fuel™ 91
end view



fuel™ 95 end view

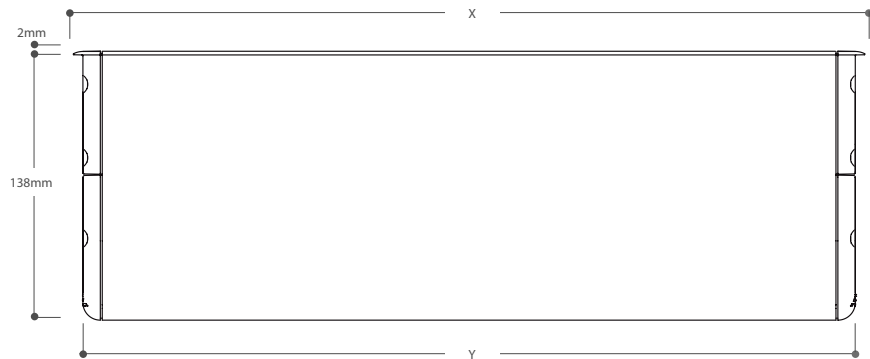


fuel™ 98 end view



fuel™ side view

model	X	Y
90	410mm	400mm
91	1000mm	990mm
95	310mm	300mm
98	410mm	400mm



fuel™ 90

single-sided access, suitable for single users at a workstation or desk.

fuel™ 91

single sided access, for multiple users. Primarily used in pairs to suit wider meeting and conference tables where one central box would be too far to reach.

fuel™ 95

double-sided access, suitable for single or multiple users at workstations or smaller meeting tables.

fuel™ 98

double-sided access, suitable for multiple users at larger meeting or conference tables. Specifically designed to straddle tables with a centrally mounted rail such as the Twist & Incognito range of table bases Distributed by Commercial Images.

model	GPOs supplied	data cutouts supplied
90	4	3
91	4 (max 10)	8 (max 10)
95	4	5
98	4 (max 6)	5 (max 8)