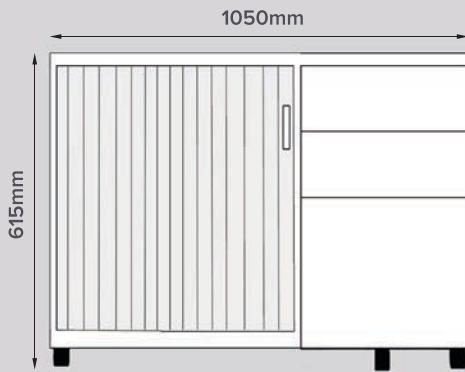




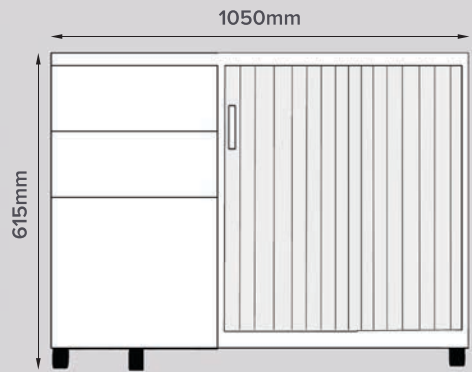
commercialimages
evolving workspaces

STEELCO - LINE RANGE
MOBILE CADDY





RH DRAWER CONFIGURATION



LH DRAWER CONFIGURATION

PRODUCT INFORMATION



FEATURES

- 2 Box 1 File unit includes a pencil tray
- Fitted with ABS door slats as standard
- Five lockable castor wheels to provide stability, security and anti-tilt functionality
- Fitted with barrel exchange locks on the drawers and tambour door
- Full extension ball bearing runners fitted to allow full drawer access
- Cushions can be fitted to turn the caddy into a seating option for hot-desk areas
- Blue Tick AFRDI approved, Certificate #13530/1

STOCK COLOURS



CODE	DESCRIPTION	DIMENSIONS (mm)
TLCADRHWSC1	Steelco Trimline Mobile Caddy (RH Drawer Configuration)	615H x 1050W x 500D
TLCADLHWSC1	Steelco Trimline Mobile Caddy (LH Drawer Configuration)	615H x 1050W x 500D



*Stock colours vary between products
 *See next page for custom colour range

TIMBER POWDERCOAT



LK0350
White Pine



LK0350+ LK
White 002



LK0350
White Walnut



LK0350 + LK
White 001



LK0710+ LK
White 001



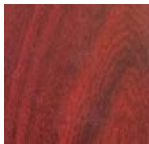
LK0710+ LK
Yellow 001



LK1110+ LK
Black 001



LK0957+ LK
Red001



LK0957+ LK
Red002

CUSTOM COLOUR RANGE



Graphite ripple



Aussie blue



Lime



Silver grey



Signal red



Lawn green



Beige



Orange



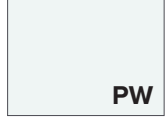
Black Ripple



Lemon yellow



Blaze blue



Pearl white

Our 'Custom' range is ideal for longer lead times, offering you greater flexibility. Our custom range allows you to tailor the colour of your products whilst creating a truly unique office environment.

***For Dulux, Interpon or RAL colours, please contact your sales representative*

****Surcharge and minimum volumes may apply.*